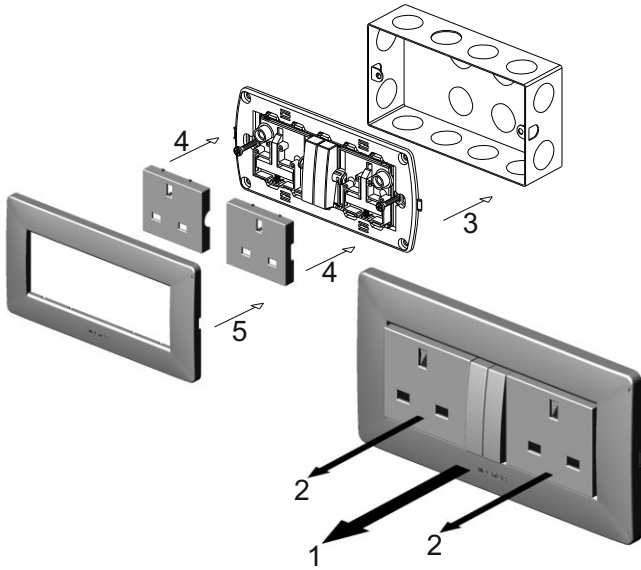


Art. **BS21108.2**
Double 2P+E 13A switched socket outlet, BS standard

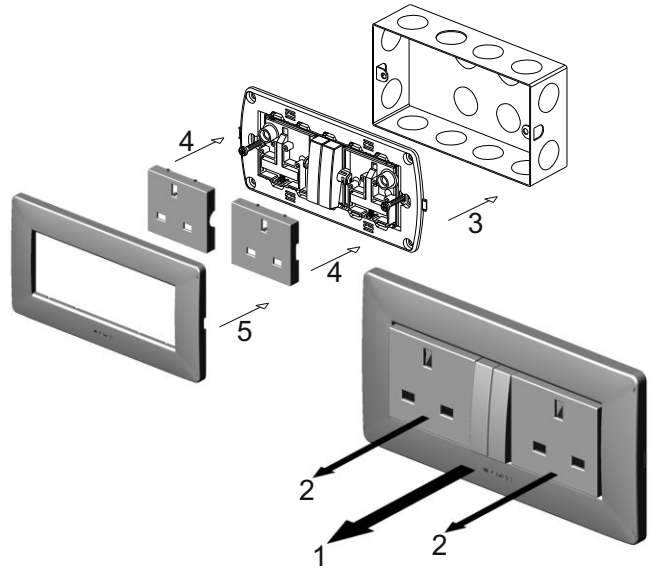


1. Remove the frame
2. Remove the socket covers
3. Fix the device to the wall box using the proper screws
4. Place back the socket covers on their place
5. Fix the frame on the device

MADE
IN ITALY

31SL.MANUALE38

Art. **BS21108.2**
Double 2P+E 13A switched socket outlet, BS standard

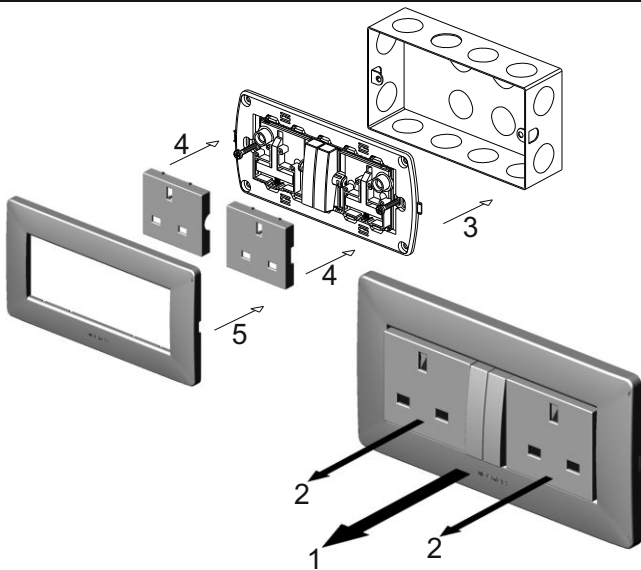


1. Remove the frame
2. Remove the socket covers
3. Fix the device to the wall box using the proper screws
4. Place back the socket covers on their place
5. Fix the frame on the device

MADE
IN ITALY

31SL.MANUALE38

Art. **BS21108.2**
Double 2P+E 13A switched socket outlet, BS standard

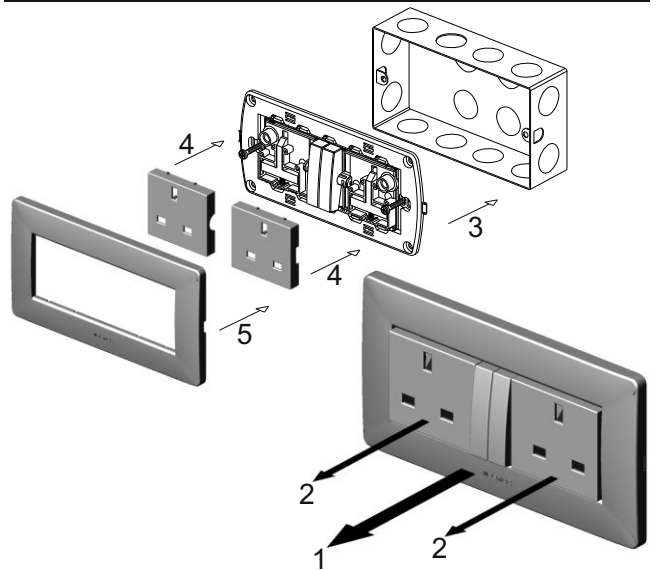


1. Remove the frame
2. Remove the socket covers
3. Fix the device to the wall box using the proper screws
4. Place back the socket covers on their place
5. Fix the frame on the device

MADE
IN ITALY

31SL.MANUALE38

Art. **BS21108.2**
Double 2P+E 13A switched socket outlet, BS standard



1. Remove the frame
2. Remove the socket covers
3. Fix the device to the wall box using the proper screws
4. Place back the socket covers on their place
5. Fix the frame on the device

MADE
IN ITALY

31SL.MANUALE38