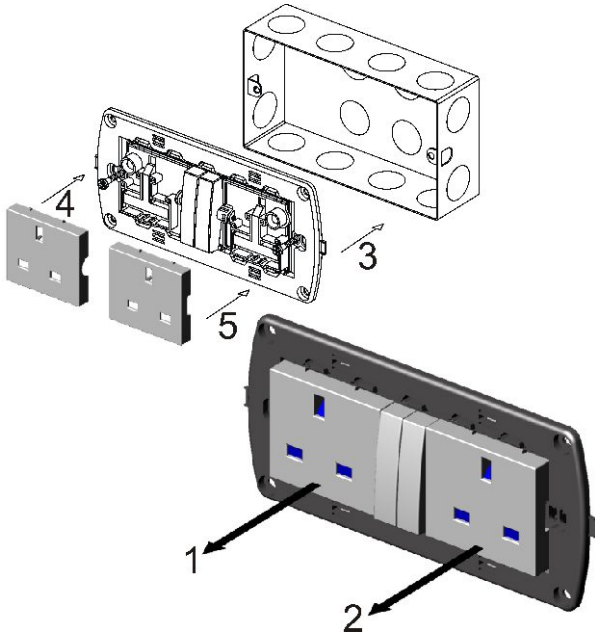


Art. **BS21108.2-I** • **BS24108.2** • **BS26108.2** • **BS27108.2**
Double 2P+E 13A switched socket outlet, BS standard

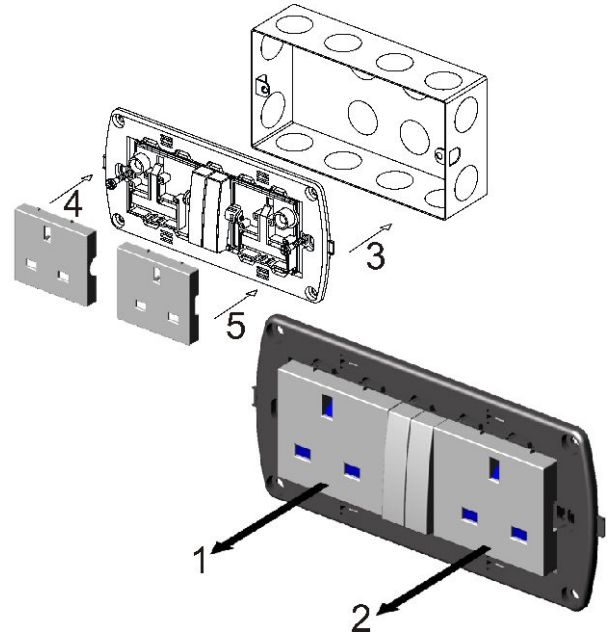


- 1+2. Remove the socket covers
 3. Fix the device to the wall box using the proper screws
 - 4+5. Place back the socket covers on their place
- Then, fix the frame on the device

MADE
IN ITALY

31SL.MANUALE48

Art. **BS21108.2-I** • **BS24108.2** • **BS26108.2** • **BS27108.2**
Double 2P+E 13A switched socket outlet, BS standard

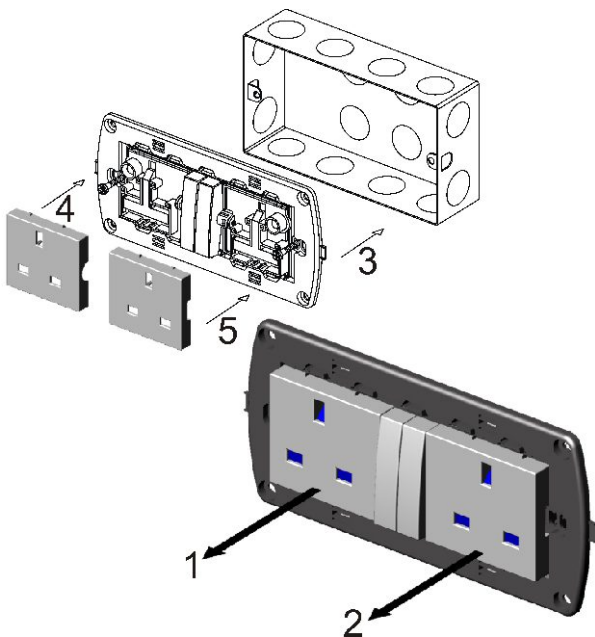


- 1+2. Remove the socket covers
 3. Fix the device to the wall box using the proper screws
 - 4+5. Place back the socket covers on their place
- Then, fix the frame on the device

MADE
IN ITALY

31SL.MANUALE48

Art. **BS21108.2-I** • **BS24108.2** • **BS26108.2** • **BS27108.2**
Double 2P+E 13A switched socket outlet, BS standard

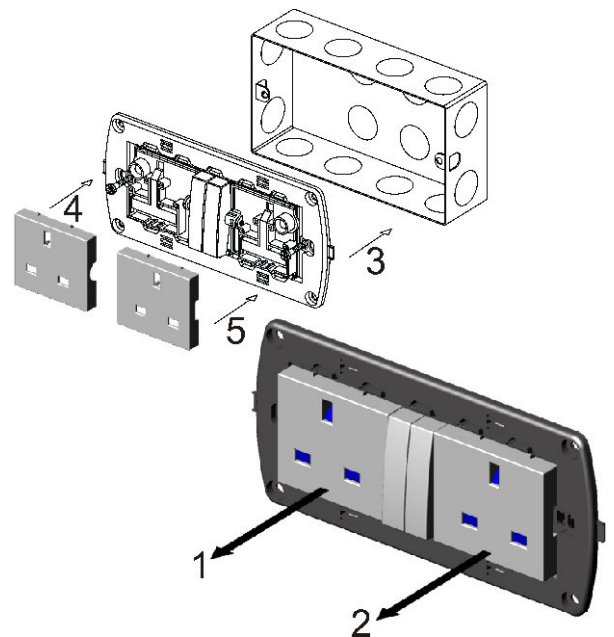


- 1+2. Remove the socket covers
 3. Fix the device to the wall box using the proper screws
 - 4+5. Place back the socket covers on their place
- Then, fix the frame on the device

MADE
IN ITALY

31SL.MANUALE48

Art. **BS21108.2-I** • **BS24108.2** • **BS26108.2** • **BS27108.2**
Double 2P+E 13A switched socket outlet, BS standard



- 1+2. Remove the socket covers
 3. Fix the device to the wall box using the proper screws
 - 4+5. Place back the socket covers on their place
- Then, fix the frame on the device

MADE
IN ITALY

31SL.MANUALE48